

AKZ692/..-2.54-V-GREEN



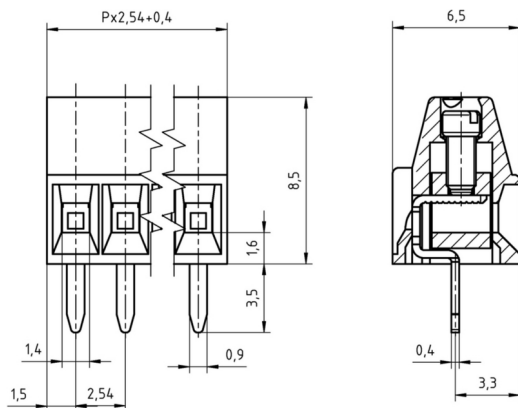
Technical Data

Wire sizes		Insulating Material	
Solid min	0.14 mm ²	Material	PA 6.6
Solid max	0.75 mm ²	Flammability Class	UL 94 V-0
Stranded (flexible) min	0.14mm ²	Temperatures	
Stranded (flexible) max	0.75 mm ²	Operating Temperature (without mech. load)	-40 °C - 105 °C
Stranded with Ferrule min	0.14 mm ²	Store Temperature	-40 °C - 105 °C
Stranded with Ferrule max	0.34 mm ²	Wave Soldering Process	
Dimensions		Soldering Temperature, recommended	260 °C
Stripped Length	4.0 mm	Peak Soldering Time, recommended	3-4 s
PCB Hole Diameter	1.3 mm	Reflow Process	
Materials		Soldering Temperature, recommended	-
Clamp	Brass	Peak Soldering Time, recommended	-
Screw	Steel		
Solder Tab	Brass		

Colours

	GREEN, RAL 6018
	LIGHT GREEN, similar RAL 6018

Colours according to RAL, there may be variations on colour due to production conditions. Special colours on request.



Order Data (Spacing 2.54 mm)

Poles	Width (mm)	Article Designation	Article Number	PU
2	5.48	AKZ692/2-2.54-V-GREEN	50692020021 E	100
3	8.02	AKZ692/3-2.54-V-GREEN	50692030021 E	100
4	10.56	AKZ692/4-2.54-V-GREEN	50692040021 E	100
5	13.10	AKZ692/5-2.54-V-GREEN	50692050021 E	100
6	15.64	AKZ692/6-2.54-V-GREEN	50692060021 E	100
7	18.18	AKZ692/7-2.54-V-GREEN	50692070021 E	100
8	20.72	AKZ692/8-2.54-V-GREEN	50692080021 E	100
9	23.26	AKZ692/9-2.54-V-GREEN	50692090021 E	100
10	25.80	AKZ692/10-2.54-V-GREEN	50692100021 E	100
11	28.34	AKZ692/11-2.54-V-GREEN	50692110021 E	100
12	30.88	AKZ692/12-2.54-V-GREEN	50692120021 E	100
13	33.42	AKZ692/13-2.54-V-GREEN	50692130021 E	100
14	35.96	AKZ692/14-2.54-V-GREEN	50692140021 E	100
15	38.50	AKZ692/15-2.54-V-GREEN	50692150021 E	100
16	41.04	AKZ692/16-2.54-V-GREEN	50692160021 E	100
17	43.58	AKZ692/17-2.54-V-GREEN	50692170021 E	100
18	46.12	AKZ692/18-2.54-V-GREEN	50692180021 E	100
19	48.66	AKZ692/19-2.54-V-GREEN	50692190021 E	100
20	51.20	AKZ692/20-2.54-V-GREEN	50692200021 E	100
21	53.74	AKZ692/21-2.54-V-GREEN	50692210021 E	100
22	56.28	AKZ692/22-2.54-V-GREEN	50692220021 E	100
23	58.82	AKZ692/23-2.54-V-GREEN	50692230021 E	100
24	61.36	AKZ692/24-2.54-V-GREEN	50692240021 E	100

Ratings

UseGroup	C _{RU} US			VDE	
	B	C	D		
Rated Voltage	150 V	-	-	130 V	
Rated Current	7 A	-	-	9 A	
Rated Wire Size				min	max
- solid	AWG 30-18	-	-	0.14 mm ²	0.75 mm ²
- stranded	AWG 30-18	-	-	0.14 mm ²	0.75 mm ²
Torque	0.10 Nm	-	-	0.10 Nm	
Screw Size	M1.6	-	-	M1.6	
Test Voltage	1.30 kV	-	-	1.25 kV	